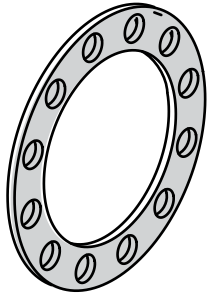


ROTOR SPACING RING

FOR SRAM XD

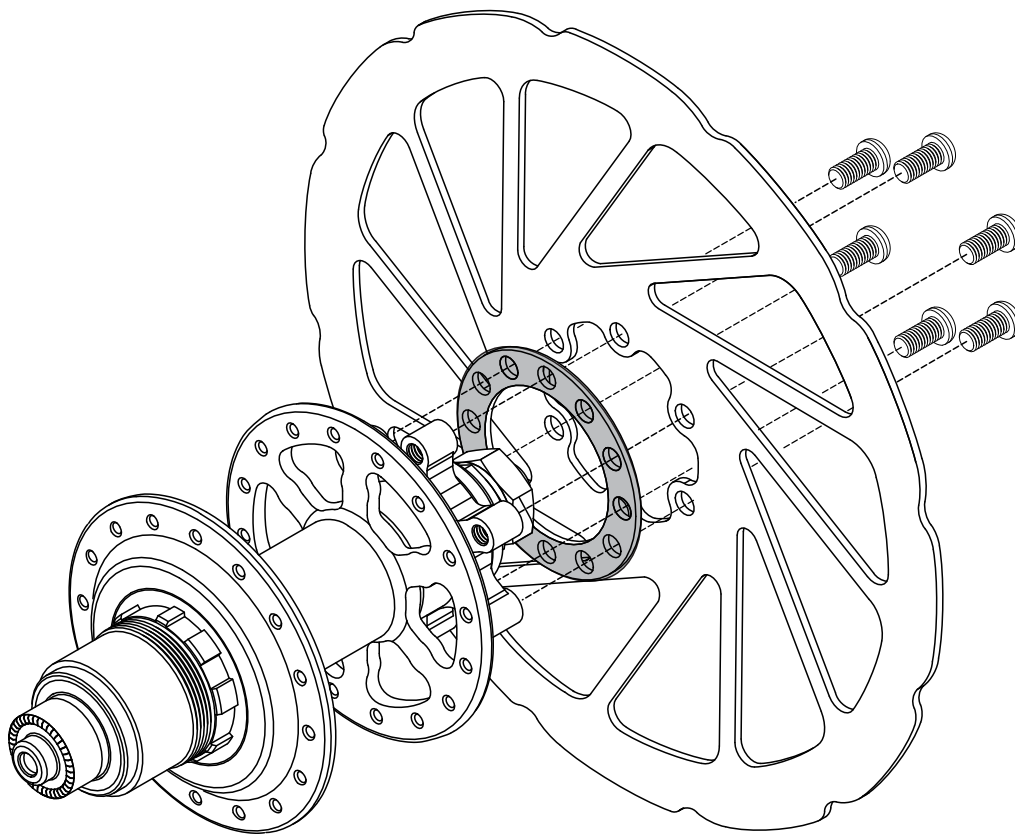


ROTOR SPACING RING (GRAY)

Purpose: To space the rotor position correctly.

The gray color Rotor Spacing Ring **MUST** be used on all 2014 American Classic wheels and hubs with Sram XD drivers (XX1 and X01 groups). The included Rotor Spacing Ring is only used on XD driver hubs with AC hub serial numbers starting with the letter "D" "E" "F" "G" "H".

The Rotor Spacing Ring is **NOT** used on hubs or wheels with Shimano 11 speed cassette bodies.



INSTALLATION

Use hardened steel bolts, no titanium bolts, and no skipping bolts. Mount all 6 bolts with Loctite, to the recommended torque specification per the rotor mounting instructions.

Proper re-assembly is important to rider safety.
All repairs should be performed by a professional bicycle mechanic.
sales@amclassic.com • www.amclassic.com